

alva®



## ALVA Installation Instructions

### **PRISCILLA**

# Priscilla Installation Guide (1 of 2)

## Required for Installation:

Philips screwdriver  
4mm hex key  
Drill (for ceiling mounting)  
Small flathead screwdriver (for adjusting and LumenSelect™ and CCT Select)  
Optional TORX set (if using tamper resistant TORX shade screws)

## Included:

- LED module with universal mounting bracket attached to the module
- Decorative Priscilla shade
- Internal shade bracket
- (4) Shade mounting screws. TORX screws optional (specify)
- (2) M3 mounting screws

## Sizes & Mounting Information

The Priscilla luminaire series is available in two lengths, 19" and 35". The luminaire may be mounted on the wall either vertically or horizontally. The luminaire may be mounted on the ceiling as well. *Note: Wall/Ceiling mounting hardware is not included due to the wide variety of wall materials. Customer should determine the appropriate anchoring hardware for their specific needs. ALVA recommends the use of #10 mounting hardware.*

## CAUTION:

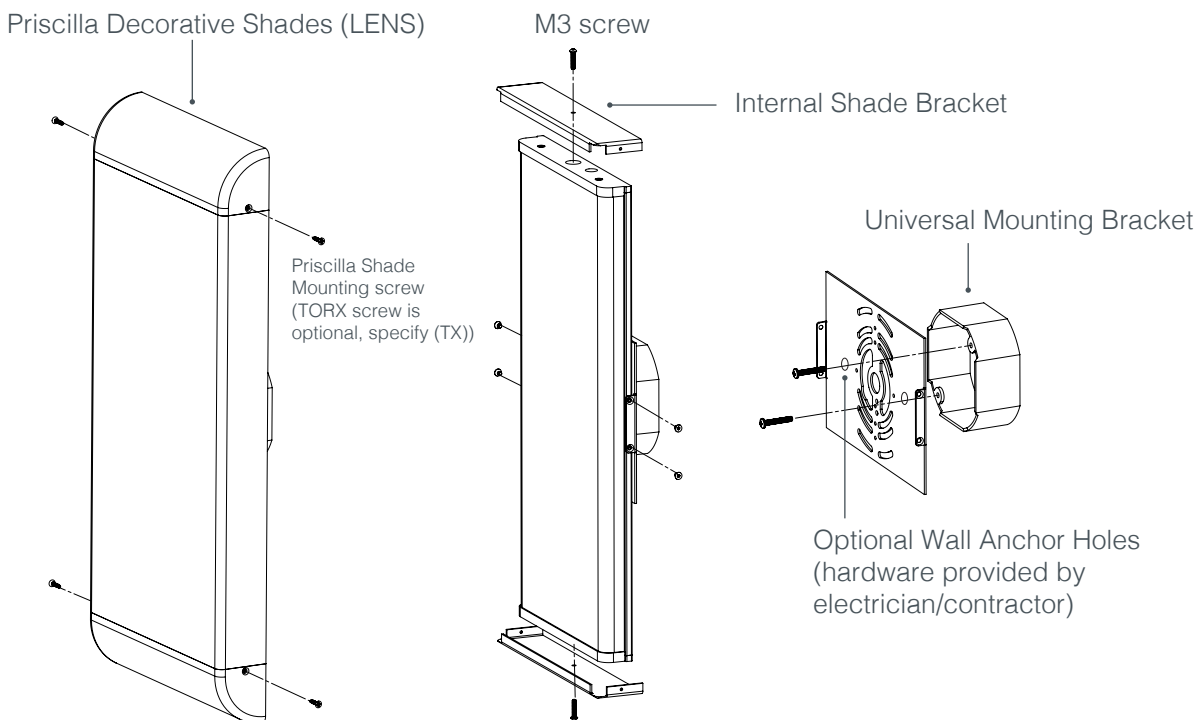
Be sure the power is turned off by either removing the fuse or turning off the circuit breaker. Installation must be in compliance with National, State and Local electrical codes.



# Priscilla Installation Guide (2 of 2)

**Installing your ALVA luminaire:** (For Behavioral Health Applications, please see instructions on page 4)

1. Mount Internal Mounting Bracket to each end of the LED module using M3 screws provided (one per bracket).
2. Attach the mounting plate to the junction box with care to align the plate so that the luminaire is orientated properly. You may use holes provided in back plate or drill holes in back plate as needed. For the 35" model mount the additional mounting plates to the wall or ceiling with care to align the pre-drilled holes in the LED module with the mounting plate. Be sure to install anchoring hardware according to the manufacturer's recommendations.
3. Connect the electrical wires from the junction box to the electrical wires of the light fixture. Please see (page 5) if using 0-10V dimming functionality.
4. Place the LED module so that the pre-drilled holes in the side of the light fixture line up with mounting plate(s). Secure the LED module to the mounting plates using the 8/32 screws provided.
5. Mount shade to the light module using hardware included with the shade selected for your project. For resin or acrylic shades, you secure the shade to the LED module using a 4mm hex key at both ends of the fixture.



## Priscilla for Behavioral Health Installation Guide (1 of 2)

**Before using these installation instructions please be aware of the following disclaimers.**

*Installation of these or any other products will NOT eliminate all risks of suicide or injury.*

*ALVA LIGHT does not guarantee or assume any responsibility whatsoever for the performance of any product.*

*ALVA LIGHT has made reasonable efforts to ensure the accuracy of the information in these guidelines as of the date of the guidelines.*

*Users of the guidelines should consult other reliable sources to determine if there is any information after the date of these guidelines regarding newly identified risks, product recalls or other information relevant to the use of the products in the guidelines or similar products.*

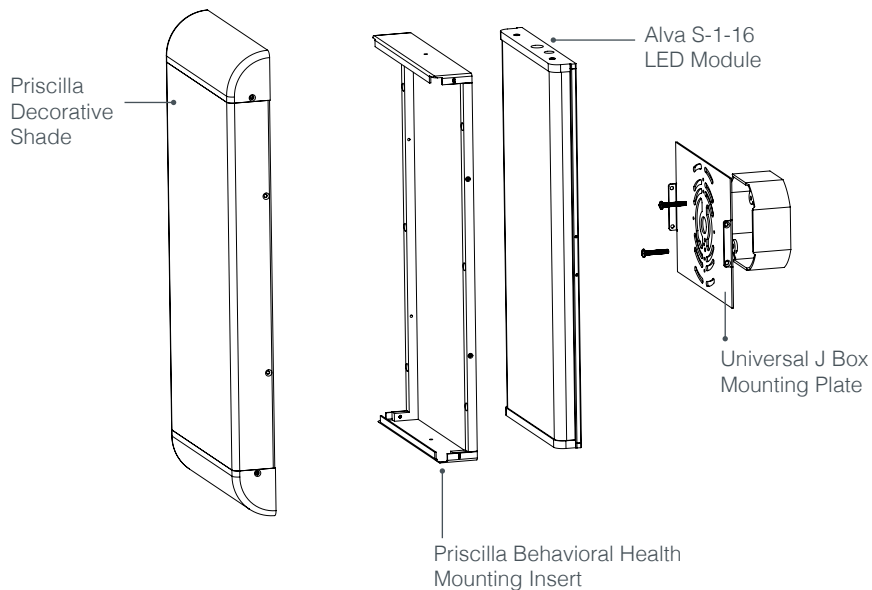
**Included:**

- LED module with universal mounting bracket attached to the module
- Decorative Priscilla shade
- Behavioral Health Mounting Insert
- (8) TORX Mounting screws for decorative lamp shade
- (2) M3 mounting screws (to mount Priscilla Behavioral Health Mounting Insert to LED Module)

# Priscilla for Behavioral Health Installation Guide (2 of 2)

## Installing your ALVA luminaire for Behavioral Health Applications:

1. Step One: Remove universal jbox mounting plate from ALVA S-1-16 LED module (mounted on the module via four M3 screws on the side).
2. Step Two: Mount universal jbox mounting plate to junction box using flat head construction screws, #8 (provided by others).
3. Step Three: Slide Priscilla Behavioral Health Mounting Insert onto LED module. Attach to top and bottom using M3 screws (provided).
4. Step Four: Mark the holes in the mounting rails using 3/16th drill bit. Squeeze mounting rails to be perpendicular to the floor. Drill out the anchor holes with a 1/4" drill bit. Install #8 x 1-1/4" wall anchors to the wall being very careful not to damage the LED module. Ensure that the anchors are flush to the wall. Install the Behavioral health bracket to the module. It is critical that Priscilla Behavioral Health Mounting Insert is mounted securely to the wall. As wall vary, proper hardware to be recommended and sourced by installer. Attach to the module using M3 screws provided. Install your #8 mounting screws through the rail holes.
5. Step Five: Mounting decorative lamp shape to the module/behavioral health bracket system. Using M3X16 TORX head screws, 4 per side.



# LumenSelect Dimming

## Dimming Options:

Your Priscilla luminaire includes two dimming options as standard:

1. LumenSelect 4 level light output (100%, 75%, 50%, and 25%)
2. 0-10V Dimming

You may choose either dimming option.

## LumenSelect

Your Priscilla luminaire comes factory set at 100% light output. You may choose at the time of install from four settings:

- 100% light output
- 75% light output
- 50% light output
- 25% Light output

Note that the power consumption of the fixture decreases approximately in conjunction with the light output (ie. 50% light output consumes half the power)

To select, using a small flathead screwdriver, gently turn the LumenSelect dial at the end of the fixture clockwise to your desired setting. You can either set your light output prior installing your fixture OR you may set it after you have installed the fixture.

## 0-10V Dimming

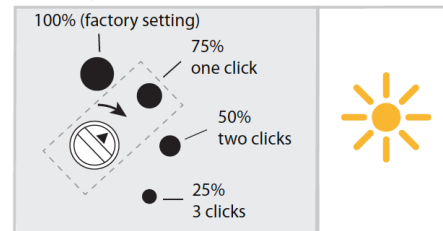
Note: To use the 0-10V dimming, be sure you have set your LumenSelect setting to 100% light output if you have changed it from its factory pre-setting of 100%. Your Priscilla luminaire also provides control wires accessible from the back of the fixture that provide 0-10V dimming. To utilize the 0-10V dimming you must provide control wires to the junction box. At the time of installation, attach Purple (DIM+) wire from back of fixture to DIM+ control wire from junction box. Attach Gray (DIM-) wire from back of fixture to DIM+ wire from junction box.

## Compatible and Tested Dimmers:

- Lutron® Model DDTV
- Leviton® Model Decora ® Illumatech™ IP710-DLZ

## LUMENSELECT

LUMENSELECT control panel on the end cap of ALVA luminaires.



The LumenSelect rotary switch should be turned gently clockwise with a small flathead screwdriver with a 1/8" or 3mm wide tip, one click at a time from factory setting to get desired output level.

**TURN CLOCKWISE WITH CARE!**